



Programmable indoor transmitter of temperature

TE232-105D, TE485-105D

Programmable indoor transmitter of temperature,
relative humidity and other derived humidity values

TR232-105D, TR485-105D

Programmable indoor transmitter of atmospheric
pressure, temperature, relative humidity and other
derived humidity values

TRP232-105D, TRP485-105D

with RS232 / RS485 serial output

Instruction Manual

Instruction Manual

Device type	Temperature	Humidity	Pressure	Computed value	Output	Galvanic isolated output
TE232-105D	✓	-	-	-	RS232	-
TE485-105D	✓	-	-	-	RS485	✓
TR232-105D	✓	✓	-	✓	RS232	-
TR485-105D	✓	✓	-	✓	RS485	✓
TRP232-105D	✓	✓	✓	✓	RS232	-
TRP485-105D	✓	✓	✓	✓	RS485	✓

Devices are designed for indoor applications. By device type (see previous table) they can measure ambient temperature at °C or °F, relative humidity of air without aggressive ingredients or atmospheric pressure. It is possible to choose one of the following computed values: dew point temperature, absolute humidity, specific humidity, mixing ratio or specific enthalpy. Devices TRP232-105D and TRP485-105D support atmospheric pressure measurement at hPa, PSI, inHg, mBar, oz/in², mmHg, inH₂O or kPa. They support pressure correction for altitude setting (offset). Unit choice is provided by User's software – see later. Devices TE232-105D, TR232-105D and TRP232-105D communicate via link RS232, devices TE485-105D, TR485-105D and TRP485-105D via link RS485. Supported communication protocols are Modbus RTU, protocol compatible with standard Advantech-ADAM and ARION. Devices are preset from manufacturer to Modbus RTU communication protocol. If you would like to use different communication protocol than Modbus RTU, it is necessary to preset them through user's software – see later. Temperature, relative humidity eventually pressure sensors are non-removable device parts, pressure sensor is placed inside the electronic case. Measured and computed values are optionally shown on dual line LCD display. If there are two values displayed at one LCD line, they are periodically switched between both readings with a period of 4 seconds. Display can be switched OFF totally too. Please read instruction manual before the first device connection.

Use user's software *Tsensor* for setting of all device parameters (recommended). It supports making the adjustment of the device too. This procedure is described at file „*Calibration manual.pdf*“ which is installed commonly with the software. Change of some parameters is possible to do without user's software with Windows hyperterminal (change of communication protocol, its parameters, LCD display setting).

Device setting from the manufacturer

If special setting was not required in the order device is set from the manufacturer to the following parameters:

communication protocol:	Modbus RTU
device address:	01H
communication speed:	9600Bd, without parity, 2 stop bits
display:	switched ON
value displayed at higher line:	temperature (temperature / pressure) – by device type
value displayed at lower line:	relative humidity only – by device type

temperature unit: °C
 pressure unit: hPa
 correction for altitude: 0 hPa(absolute pressure)
 preset computed value: dew point temperature

Device installation

Devices are designed for indoor applications. It is recommended to mount them on universal wiring box (common installation box KU68) with using two enclosed mounting screws. For correct function there is necessary to find proper device place. It shouldn't be placed at places where it can be affected by sunshine, near radiators, heating elements and other heat sources, air handlers, windows, doors, into racks and shelves and similar places. For buildings with less thermal insulation there is not suitable to place them on external walls of building. If there are communication conductors placed into conduit, there is strongly recommended make it caulk, to restrict air flow around device.


Connect cables to terminals with respecting the signal polarity (see figure). Terminals are self-clamping and can be opened by a suitable screwdriver. For the opening, insert the screwdriver to upper terminal hole and lever by him.

There are two ways, how to power devices with RS232 interface. They can be powered either from master device or from external power source. For powering from master device RS232 interface there is necessary to interconnect DTR and RTS signals with the device. For powering from external power source, there is necessary to connect positive power terminal to DTR into device terminal only and then do NOT interconnect DTR and RTS with master device.

Devices with RS232 interface:

Terminal	Connect to
GND	Shielding, power source ground
Tx	Output data for master device, transmit
Rx	Input data from master device, receive
RTS	Connect with RTS signal to master device, eventually o not connect
DTR	Connect with DTR signal to master device or connect positive power terminal from external power source

Devices with RS485 interface contain "doubled" connection terminals to provide continuous connection of next RS485 devices. Terminals description:

Terminal	Connect to
A+, B-	RS485 communication line
	Shielding of communication line
+U, GND	Power source positive terminal, power source ground

For devices with RS485 interface here is recommended to use shielded twisted copper cable (e.g. SYKIFY), maximal length 1200m. The cable must be located at indoor rooms.

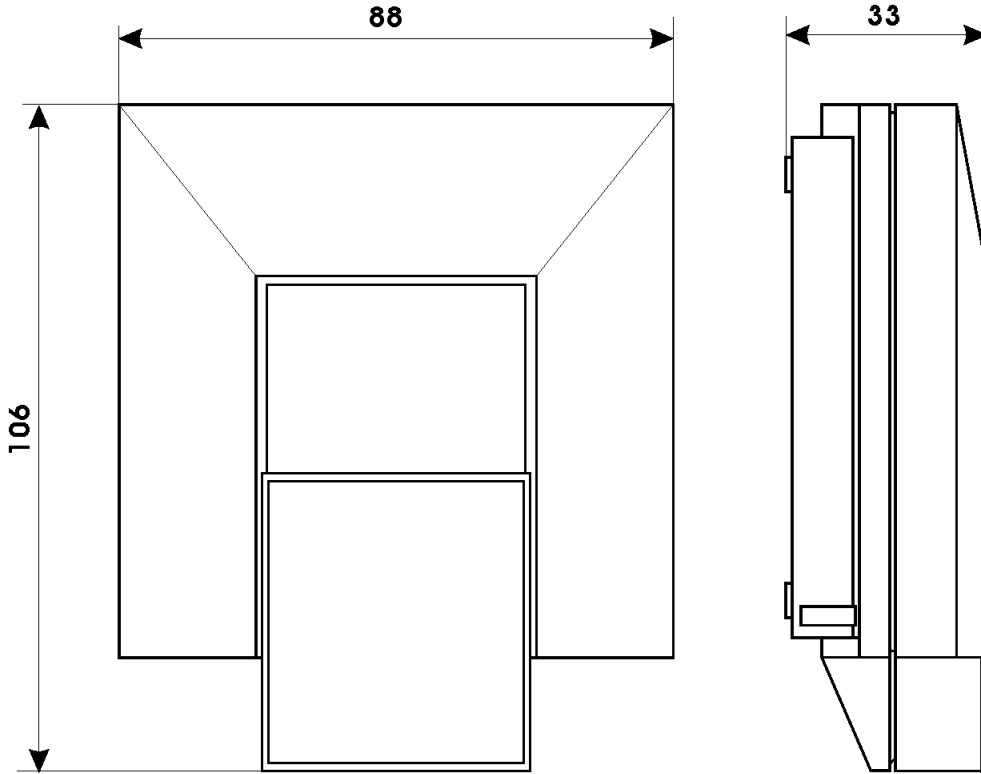
Nominal cable impedance should be 100 Ω, loop resistance max. 240 Ω, cable capacity max. 65 pF/m. Suitable cable is e.g. SYKIFY 2x2x0.5 mm², where one wire pair serves for the device powering and the other pair for communication link.

The cable should be led in one line, i.e. NOT to „tree“ or „star“. Termination resistor should be located at the end. For short distance other topology is allowed. Terminate the network by a termination resistor. The value of the resistor is recommended about 120 Ω. For short distance termination resistor can be left out. The cable should not be led in parallel along power cabling. Safety distance is up to 0.5 m, otherwise undesirable induction of interference signals can appear.

The same for devices with RS232 interface, but a maximal length is restricted to 15 m and allow connect only one device.

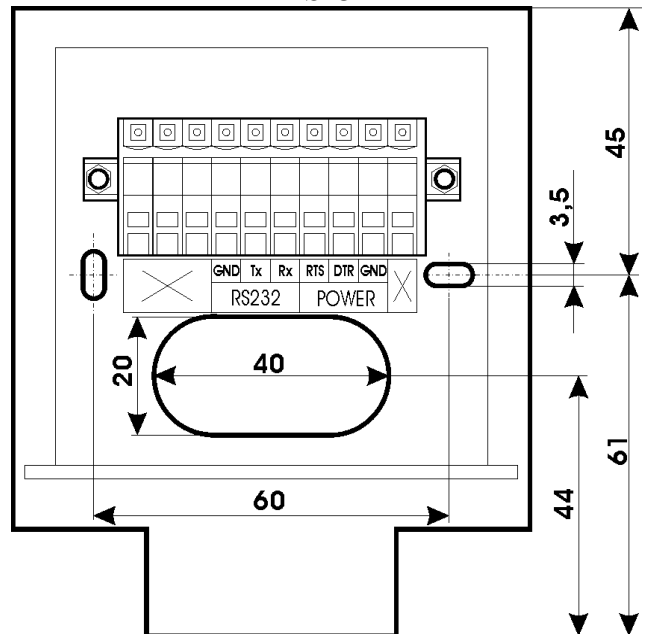
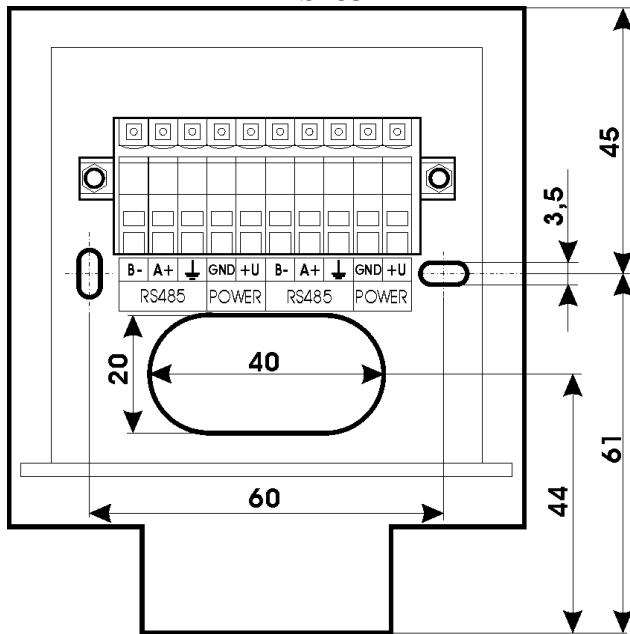
Electrical system (wiring) may do only worker with required qualification by rules in operation.

Dimensions



TE485-105D, TR485-105D, TRP485-105D
RS485

TE232-105D, TR232-105D, TRP232-105D
RS232



Device mounting

Firstly mount back part of device onto wiring box with two holding screws. Connect cables to terminals with respecting the signal polarity (see figure). Terminals are self-clamping and can be opened by a suitable screwdriver. For the opening, insert the screwdriver to upper terminal hole and lever by him. Then insert front part of device firstly at bottom into hinge and then press both parts together – see figure1

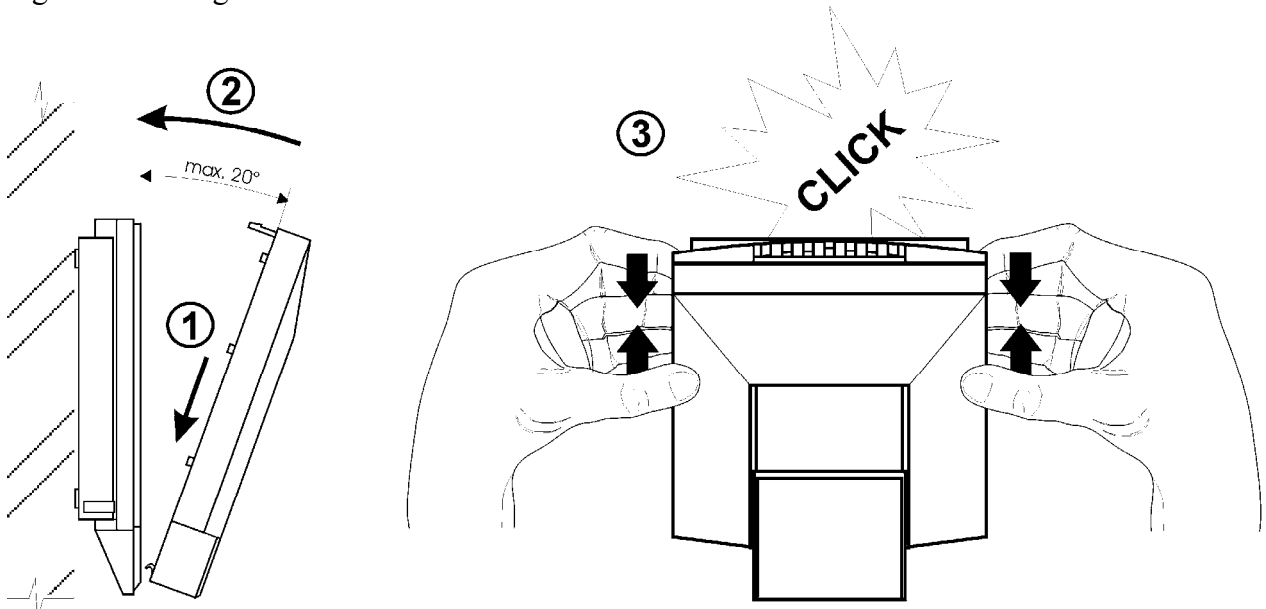


Figure1: Device mounting

Device demounting

If there is necessary demount the device, insert flat bladed screwdriver max. 3.5 mm wide from top side into middle device's air hole. There is fastening member placed, insert screwdriver **beyond** the fastening member about 2 cm deep – number ① at the picture. Then slightly move screwdriver in arrow direction ② as shown at the picture. It unlock fastening member and the device is partially opened. Remove the screwdriver and take front part of device at top, see number ③ at the picture. Pull front part with pendulum motion, remove front cover, numbers ④ and ⑤ at the picture.

If there is necessary remove back part of device, please disconnect cables and unscrew two holding screws.

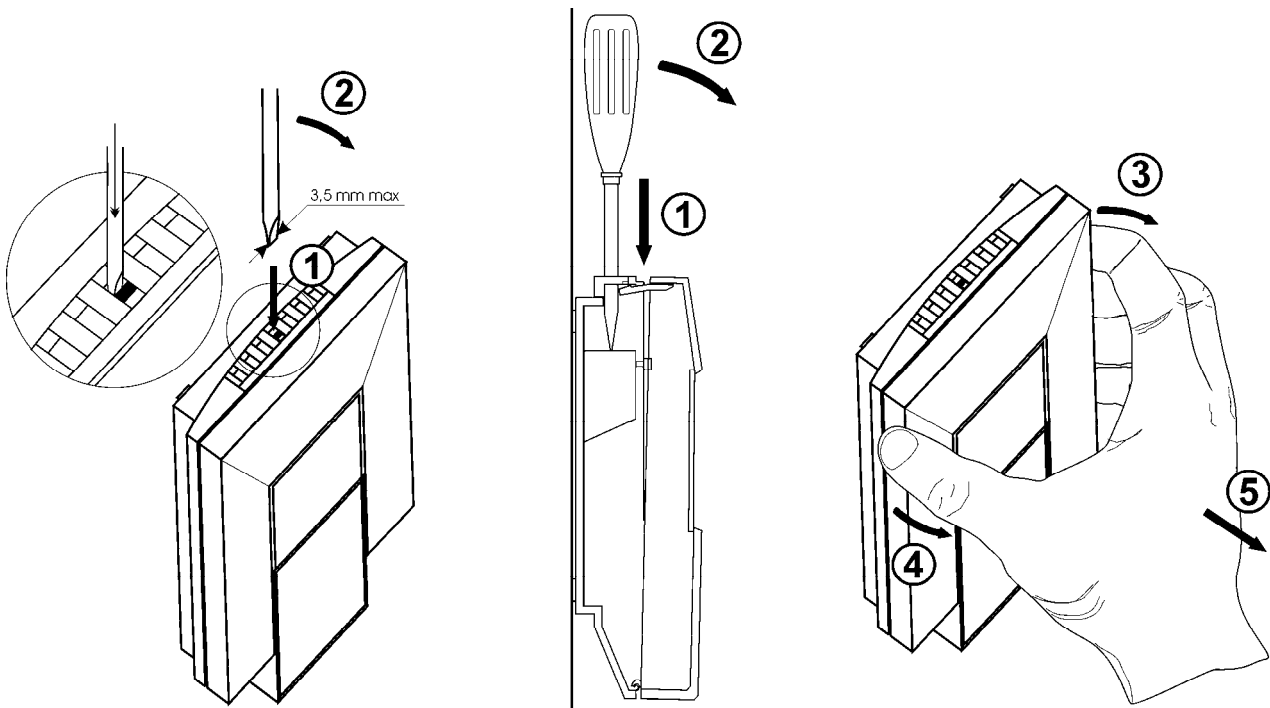
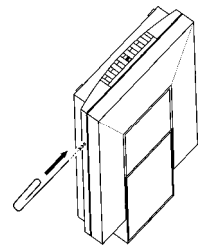


Figure2: Device demounting

Button and jumper - placing

Button is placed behind small hole on the left side of the device (front view). For button pressing use thin instrument, for example paper clip. Button function is described later.

Jumper is available only after the front part of device is demounted. Then look at the back side of demounted front part. Jumper is placed at the right bottom corner (at the same side as button). Jumper function is described later.



Info mode

If in doubt of setting of installed device, verification of its address is enabled even without using computer. Devices with RS232 interface have address always set to one. Power should be connected. Shortly press **Button** (jumper should be opened). Actual adjusted address of the device is displayed on LCD display at decimal base. Next press of button exits info mode and actual measured values are displayed.

Note: No measurement and communication is possible during info mode. If device stays in info mode for longer than 15 s, device automatically returns to measuring cycle.

Setting of pressure correction for altitude

For devices TRP232-105D and TRP485-105D only! If there is necessary to read value of atmospheric pressure corrected with respect to altitude, it is possible to set corresponding pressure offset for this altitude. It is possible to do it with Users software. This value is then automatically added to measured pressure value. The resultant value of pressure with added correction for altitude must be between 300 hPa and 1350 hPa (from 4.351 PSI to 19.580 PSI). Outside this range device sends value of Error 2!

Description of communication protocols

Detailed description of each communication protocols including examples of communication is available in individual document.

Note: After switching ON the power of the device it can last up to 2 s before the device starts to communicate and measure!

Modbus RTU

Control units communicate on master-slave principle in half-duplex operation. Only master can send request and only addressed device responds. During sending of request no other slave station should respond. During communication, data transfer proceeds in binary format. Each Byte is sent as eight bit data word in format: 1 start bit, data word 8 bit (LSB first), 2 stop bits¹, without parity. Device supports communication speed from 110Bd to 115200Bd.

Sent request and response have syntax: ADDRESS OF DEVICE – FUNCTION – Modbus CRC

Supported functions

03 (0x03): Reading of 16-bit registers (Read Holding Registers)

04 (0x04): Reading of 16-bit input gates (Read Input Registers)

16 (0x10): Setting of more 16-bit registers (Write Multiple Registers)

Jumper and button

Jumper and button are located next to connection terminals. If communication protocol Modbus is selected the function of jumper and button is as follows:

- Jumper opened – device memory is protected from writing, from device side it is only enabled to read measured value, writing to memory is disabled (no change of device address, communication speed and LCD setting is enabled)
- Jumper closed – writing to device memory is enabled by means of User's software
- Jumper opened and button shortly pressed – device goes to Info mode, see chapter „Info mode“
- Jumper closed and button pressed for longer than six seconds – causes restoring of manufacturer setting **of communication protocol**, i.e. sets Modbus RTU communication protocol, device address sets to 01h and communication speed to 9600Bd (after button press there is “dEF” message blinking at LCD display. Six seconds later message “dEF” stays shown, it means manufacturer setting **of communication protocol** is done).

¹ Device sends two stop bits, for receive one stop bit is enough.

Modbus registers of the device

Variable	Unit	Address[hex] ^X	Address[dec] ^X	Format	Size	Status
Measured temperature	[°C] [°F]*	0x0031	49	Int*10	BIN16	R
Measured relative humidity	[%]	0x0032	50	Int*10	BIN16	R
Computed value *	[*]	0x0033	51	Int*10	BIN16	R
Address of device	[-]	0x2001	8193	Int	BIN16	R/W*
Code of communication speed	[-]	0x2002	8194	Int	BIN16	R/W*
Serial number of device Hi	[-]	0x1035	4150	BCD	BIN16	R
Serial number of device Lo	[-]	0x1036	4151	BCD	BIN16	R
Version of Firmware Hi	[-]	0x3001	12289	BCD	BIN16	R
Version of Firmware Lo	[-]	0x3002	12290	BCD	BIN16	R

Addition for devices T7310 and T7410 - with atmospheric pressure measurement

Variable	Unit*	Address[hex] ^X	Address[dec] ^X	Format	Size	Status
Atmospheric pressure	hPa	0x0034	52	Int*10	BIN16	R
	PSI			Int*1000		
	inHg			Int*100		
	mBar			Int*10		
	oz/in ²			Int*10		
	mmHg			Int*10		
	inH ₂ O			Int*10		
	kPa			Int*100		

Explanation:

- * depends on device setting (by User's software)
- Int*10 register is in format integer*10
- R register is designed only for reading
- W* register is designed for writing.
- ^X register addresses are indexed from zero – register 0x31 is physically sent as value 0x30, 0x32 as 0x31 (zero based addressing).

Note: In case there is a need for reading of measured values from the device with higher resolution than one decimal, measured values in device are stored also in „Float“ format, which is not directly compatible with IEEE754.

Protocol compatible with Advantech-ADAM standard

Control units communicate on master-slave principle in half-duplex operation. Only master can send requests and only addressed device responds. During sending request any of slave devices should respond. During communication data is transferred in ASCII format (in characters). Each Byte is sent as two ASCII characters. Device supports communication speed from 1200Bd to 115200Bd, parameters of communication link are 1 start bit + eight bit data word (LSB first) + 1 stop bit, without parity.

Jumper

Jumper is located next to connection terminals. If communication protocol compatible with standard Advantech-ADAM is selected, its function is the following:

- If jumper during switching ON the power is closed, device always communicates with following parameters regardless stored setting in the device:
communication speed 9600 Bd, without check sum, device address 00h
- If jumper during switching ON the power is not closed, device communicates in accordance with stored setting.
- If jumper is closed during device operation, device temporarily changes its address to 00h, it will communicate in the same communication speed as before closing jumper and will communicate without check sum. After jumper is opened setting of address and check sum is reset in accordance with values stored in the device.
- Communication speed and check sum are possible to change only if jumper is closed.
- Jumper closed and button pressed for longer than six seconds – causes restoring of manufacturer setting **of communication protocol**, i.e. sets Modbus RTU communication protocol, device address sets to 01h and communication speed to 9600Bd (after button press there is “dEF” message blinking at LCD display. Six seconds later message “dEF” stays shown, it means manufacturer setting **of communication protocol** is done).

For communication with device which measure more than one value, there is necessary to add at the end of command, number of communication channel, where the measured value is mapped. Command for value reading is #AAx(CRC) CR, where AA is device address and x is number of communication channel by next table:

Measured value	Number of communication channel
Temperature	0
Relative humidity	1
Computed value	2
Atmospheric pressure	3

ARION communication protocol - AMiT company

The device supports communication protocol ARiON version 1.00. For more details see www.amit.cz.

Error States of the device

Device continuously checks its state during operation. In case error is found LCD displays corresponding error code:

Error 0

First line displays „Err0“.

Check sum error of stored setting inside device's memory. This error appears if incorrect writing procedure to device's memory occurred or if damage of calibration data appeared. At this state device does not measure and calculate values. It is a serious error, contact distributor of the device to fix.

Error 1

Measured or calculated value except in pressure is over upper limit of allowed full scale range. There is a reading „Err1“ on LCD display. Value read from the device is +999.9. (for pressure reading there is +999.9 hPa correct value)

This state appears in case of:

- Measured temperature is higher than approximately 600°C (i.e. high non-measurable resistance of temperature sensor, probably opened circuit).
- Relative humidity is higher than 100%, i.e. damaged humidity sensor, or humidity calculation of humidity is not possible (due to error during temperature measurement)
- Computed value – calculation of the value is not possible (error during measurement of temperature or relative humidity or value is over range)

Error 2

There is a reading „Err2“ on LCD display. Measured or calculated value is below lower limit of allowed full scale range. Value read from the device is -999.9.

This state appears in case of:

- Measured temperature is lower than approximately -210°C (i.e. low resistance of temperature sensor, probably short circuit).
- Relative humidity is lower than 0%, i.e. damaged sensor for measurement of relative humidity, or calculation of humidity is not possible (due to error during temperature measurement)
- Measured pressure value **with added correction for altitude** is outside of range from 300 hPa to 1350 hPa (from 4.351 PSI to 19.580 PSI) or the pressure sensor is damaged. Please check setting of pressure correction for altitude with User's software.
- Computed value – calculation of computed value is not possible (error during measurement of temperature or relative humidity)

Error 3

There is a reading „Err3“ on LCD display upper line.

Error of internal A/D converter appeared (converter does not respond, probably damage of A/D converter). This error does NOT affect pressure measurement. Rest values are NOT measured. It is a serious error, contact distributor of the device.

Error 4

There is a reading „Err4“ on LCD display. It is internal device error during pressure sensor initialization. Under this condition device does NOT measure atmospheric pressure. Value read from device is -999.9. Pressure sensor is probably damaged. It is a serious error, contact distributor of the device.

Readings on LCD display

°C, °F

Reading next to this symbol is measured temperature or error state of value.

%RH

Reading next to this symbol is measured relative humidity or error state of value.

hPa, PSI, inHg,

Reading next to this symbol is measured pressure or error state of value. If selected pressure unit is **mBar** or **oz/in²** or **mmHg** or **inH₂O** or **kPa**, there is shown only value (number) without corresponding pressure unit!

°C / °F DP

Reading next to this symbol is calculated dew point temperature or error state of value.

g/m³

Reading next to this symbol is calculated absolute humidity or error state of value.

g/kg

Reading next to this symbol is calculated specific humidity or mixing ratio (depends on device setting) or error state of value.

If specific enthalpy is selected, there is shown only value (number) without corresponding unit!

symbol **3** near by left display margin

Is on if jumper is closed.

Technical parameters of the device:

RS 485 Interface:

Receiver-Input Resistance: 96 kΩ

Devices on bus: max. 256 (1/8 Unit Receiver Load)

Measuring parameters:

Ambient temperature (RTD sensor Pt1000/3850ppm):

Measuring range: -30 to +50 °C
Resolution of display: 0.1 °C
Accuracy: ± 0.5 °C

Relative humidity - TR232-105D, TR485-105D, TRP232-105D and TRP485-105D devices only

(reading is temperature compensated at entire temperature range):

Measuring range: 5 to 95 %RH (see Device installation)
Resolution of display: 0.1 %RH
Accuracy: ± 2.5 %RH from 5 to 60 %RH,
± 3 %RH from 60 to 95 %RH, at 23 °C

Atmospheric pressure (TRP232-105D, TRP485-105D only):

Unit	hPa, mBar	PSI	mmHg	inHg	inH ₂ O	oz/in ²	kPa
Range	600	8.70	450.0	17.72	240.9	139.2	60.00
	1100	15.95	825.1	32.48	441.6	255.3	110.00
accuracy							
T=23 °C	±1.3	±0.02	±1.0	±0.04	±0.5	±0.3	±0.13
0≤T≤40°C	±1.5	±0.02	±1.1	±0.04	±0.6	±0.3	±0.15
Else	±2.0	±0.03	±1.5	±0.06	±0.8	±0.5	±0.20

The value computed from ambient temperature and relative humidity:

(TR232-105D, TR485-105D, TRP232-105D and TRP485-105D devices only):

Display resolution: 0.1 °C

You can choice one of the next value:

Dew point temperature

Accuracy: ±1.6 °C at ambient temperature T < 25 °C and RH > 30 %
Range: -60 to +80 °C

Absolute humidity

Accuracy: ±3g/m³ at ambient temperature T < 40 °C and RH < 95 %
Range: 0 to 400 g/m³

Specific humidity²

Accuracy: ±2g/kg at ambient temperature T < 35 °C and RH < 95 %
Range: 0 to 550 g/kg

Mixing ratio²

Accuracy: ±2.2g/kg at ambient temperature T < 35 °C and RH < 95 %
Range: 0 to 995 g/kg

Specific enthalpy²

Accuracy: ± 3.5kJ/kg at ambient temperature T < 25 °C and RH < 95 %
Range: 0 to 995 kJ/kg

² This value depends on the barometric pressure. If device doesn't support pressure measurement, then constant value stored inside device memory is used. Default value preset by manufacturer is 1013hPa and can be changed by users' software.

Response time:

temperature: air flow approximately 0.3 m/s $t_{90} < 12$ min

No air flow $t_{90} < 25$ min

relative humidity: $t_{90} < 30$ s (air flow approximately 1 m/s, relative humidity step 65 %RH, constant temperature)

atmospheric pressure³: $t_{90} < 44$ s

Recommended calibration interval: TE232-105D, TE485-105D: 2 years

Rest types: 1 year

Measuring interval and LCD display refresh: 0.5 s, atmospheric pressure 2 s

Power: 9 to 30 V dc

Consumption: TE232-105D, TR232-105D, TRP232-105D (RS232) 6mA
TE485-105D, TR485-105D, TRP485-105D (RS485) max 0.5 W

Protection: IP20

Operating conditions:

Operating temperature range: 0 to +50 °C

Operating humidity range: 0 to 100 %RH (without condensation)

Outer characteristics in accordance with EN33-2000-3 normal environment with the specifications: AE1, AN1, BE1

Electromagnetic compatibility: complies EN 61326-1

Storing conditions: temperature -30 to +80 °C, humidity 0 to 100 %RH without condensation

Not allowed manipulations: It is not allowed to operate the device under other than specified conditions in technical parameters. Devices are not designed for locations with chemically aggressive environment. Temperature and humidity sensors must not be exposed to direct contact to water or other liquids. **Do not use the device in an explosive environment.**

Dimensions: 106 x 88 x 33 (h x l x d)

Weight: approximately 150 g

Material of the case: ABS

End of operation

Device itself (after its life) is necessary to liquidate ecologically!

Technical support and service

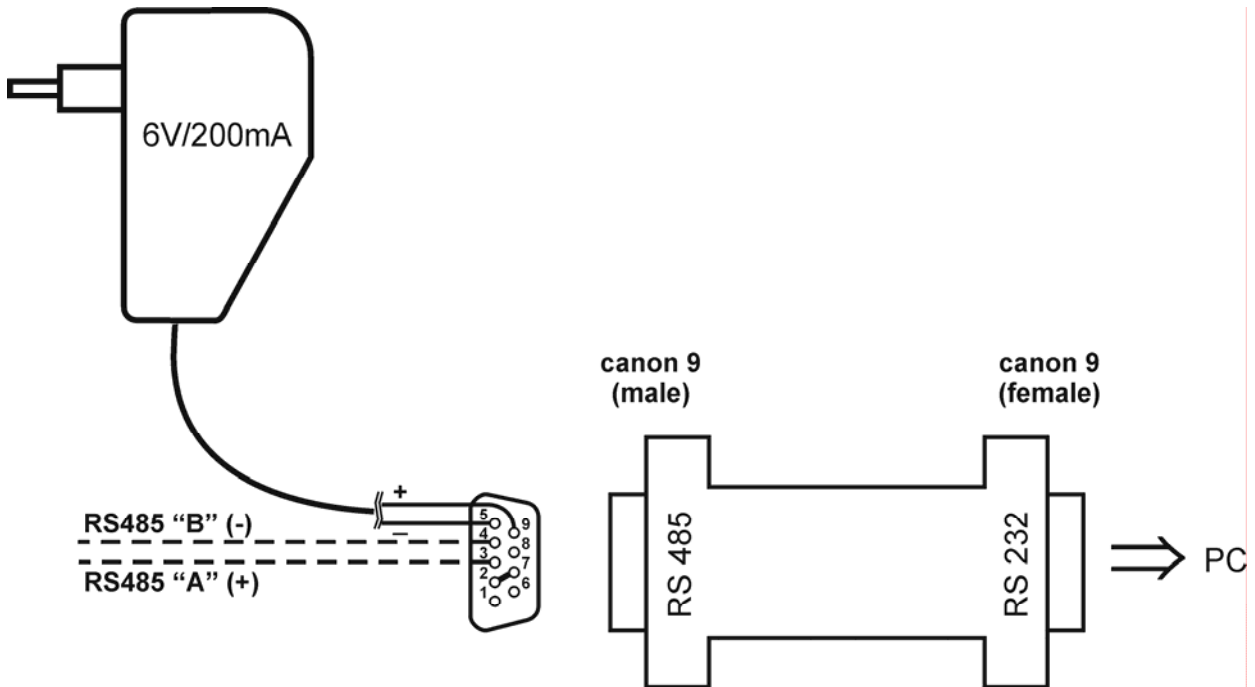
Technical support and service is provided by distributor. For contact see warranty certificate.

³ There is possible to change response time. For more details see file "Description of calibration and adjustment procedure.pdf", which is installed together with Users software..

Appendix A

Connection of ELO E06D converter (RS232/RS485)

(optionally accessory of the device TE485-105D, TR485-105D and TRP485-105D)



The ELO E06D converter is an optional accessory for connection of transmitter/transmitters with RS485 interface to the PC via serial port RS232. Connect connector marked RS232 directly to the PC, connect power to connector marked RS485. Power voltage **+6V DC** from an external acdc adapter connect to **pin 9**, **0V** connect to **pin 5**. Also mutually connect pin **2** and pin **7**. Link RS485 is connected across **pin 3 (A+)** and **pin 4 (B-)**.

Notes:
